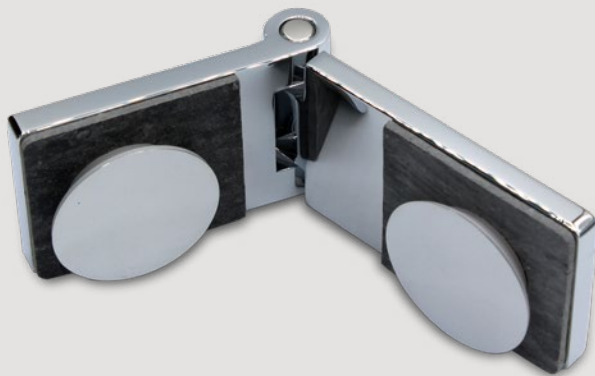


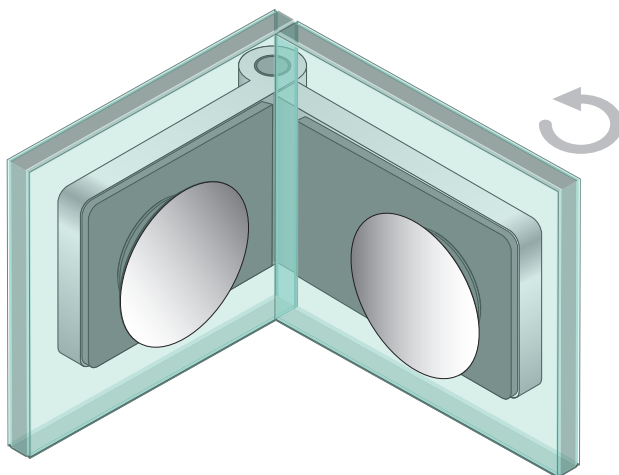
## 401004 | HINGE GLASS-GLASS 90°



### DESCRIPTION:

Hinge glass-glass 90°. Door opening **outwards** (up to 270°). Flush glass fixing with concealed screw connection.

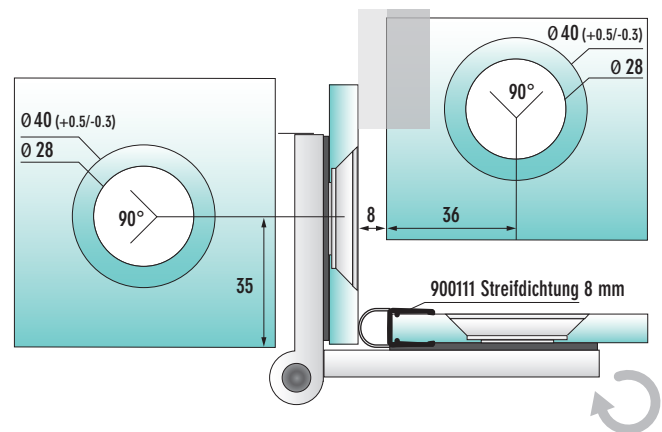
### | USAGE (WITHOUT GAP)



Fixed Panel

Door

### | GLASS PROCESSING

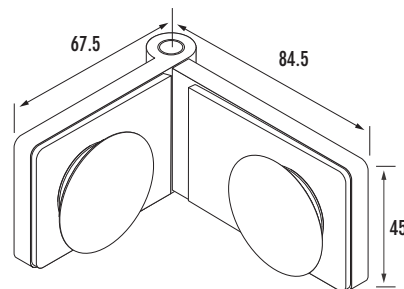


Fixed Panel

Door

### | TECHNICAL DATA:

Glasstyp:	8 mm ESG
Maximum Weight:	50 kg using two hinges
Maximum Width:	1000 mm
Material:	Solid Brass
Usage:	left/right
Adjustability in the cone:	± 2.5 mm
Surface:	bright chrome-plated
Product-Code.:	401004



### | SEAL RECOMMENDED:

Product-Code.:	900111
Description:	Bulb Seal 8mm