

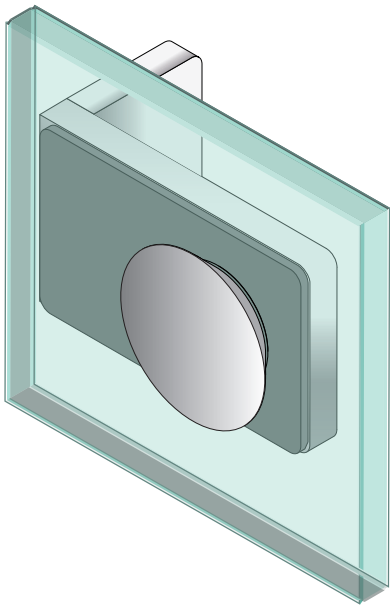
## 400001 | ANGLE BRACKET GLASS-WALL 90° mounted outside



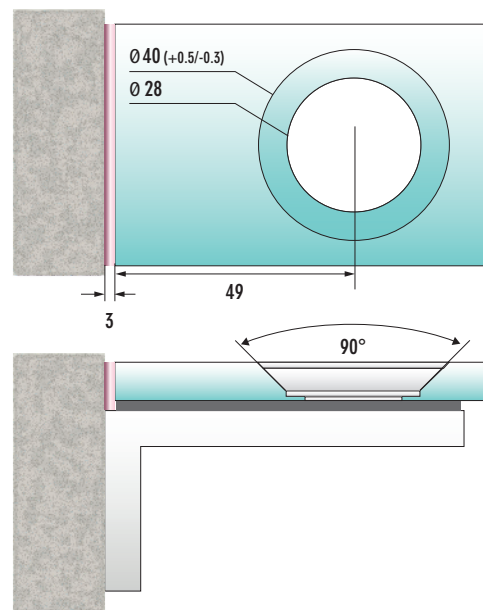
### DESCRIPTION:

Angle connector for wall mounting (outside).  
Screwing in slotted hole with cover.  
Flush-mounted glass fixing with concealed screw connection.

### | USAGE (WITHOUT GAP)



### | GLASS PROCESSING



### | TECHNICAL DATA:

Glasstyp:	8 mm ESG
Material:	Solid Brass
Usage:	left/right
Adjustability in the cone:	± 2.5 mm
Adjustability in oblong hole:	± 4.0 mm
Surface:	bright chrome-plated
Product-Code.:	400001

